

Stock Code: **20508LEDD-BS/ACR**

Collection: Solero III

### PRODUCT INFORMATION

Base: 20508 Parent: 20508LEDD  
Mounting Type: Ceiling UPC: 641594246254  
Finish: Brushed Steel  
Diffuser: Acrylic Lens

### PRODUCT MEASUREMENTS

FIXTURE	BACKPLATE / CANOPY
Length:	Length
Width:	Width:
Diameter 16"	Diameter:
Height: 4"	Height:
Extension:	
Overall Height:	

### TECHNICAL SPECIFICATIONS

#### SPECIFICATIONS

Frame Material: N/A  
Diffuser Material: N/A  
Lamping Type: SSL (Dedicated LED) Jbox: N/A  
Lamping Base: SSL Lamp Wattage: 25 W  
Lamp Quantity: 1 Total Wattage: 25 W  
Voltage: 120v Lamps Included: Yes

#### QUALIFICATIONS

Location Rating Damp  
Certification: ETL (US/Canada) Listed  
ADA Compliant: No Energy Star: No  
JA8 Compliant: Yes Emergency Lighting: No  
Marine Grade: No Warranty: 5 Year

#### PHOTOMETRICS

Dimmable: Yes Nominal Lumens 1500 Lm  
CRI: 90 Delivered Lumens: 1460 Lm  
CCT: 3000K  
Recommended Dimmers:  
(ELV)LUTRON Maestro CL MACL-153M; (ELV)LUTRON  
Maestro CL (Package) MACL-153M-RHW; (TRIAC)LEVITON  
illumatech IPI06; (TRIAC)LEVITON Decora Sureslide 6672;  
(TRIAC)LUTRON Ariadni/Toggler TGCL-153P; (ELV)LUTRON  
Diva DVELV-300P; (ELV)LUTRON Skylark Contour CTCL

#### Additional Notes:

Custom Finish 5 Piece Minimum Order Quantity; Optional Color  
Temperature 500 Piece Minimum Order Quantity

Project Name: \_\_\_\_\_

Location: \_\_\_\_\_

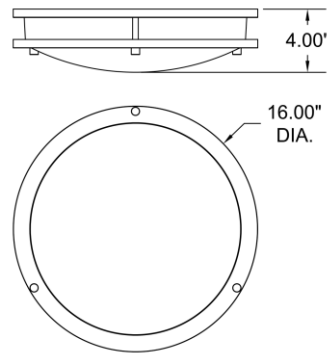
Type: \_\_\_\_\_

Quantity: \_\_\_\_\_

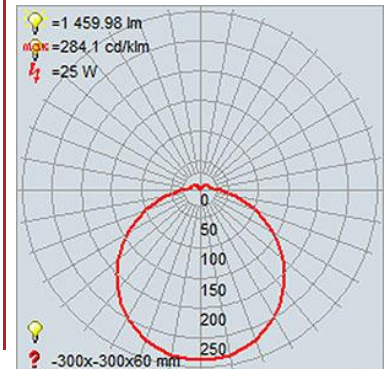
Notes: \_\_\_\_\_



#### LINE DRAWING



#### IES FILE



In addition to Access Lighting's purchase and warranty terms and conditions, by signing below or placing an order, you agree that you are authorized to bind the entity placing any order and acknowledge the following: All of sizes and measurements are approximate and all images are for illustrative purposes only. In the event of an inconsistency, the "Product Measurements" section controls. There also may be slight differences in the colors and designs compared to the displayed and printed images.

Signature: \_\_\_\_\_

Print Name \_\_\_\_\_ Date: \_\_\_\_\_

Toll Free 800-828-5483 [www.AccessLighting.com](http://www.AccessLighting.com)

14410 Myford Road, Irvine, CA 92606

The information is subject to change without notice. 11/8/2022 20508LEDD-BS\_ACR.pdf

